



Setrab

Oil Coolers

Pro Line

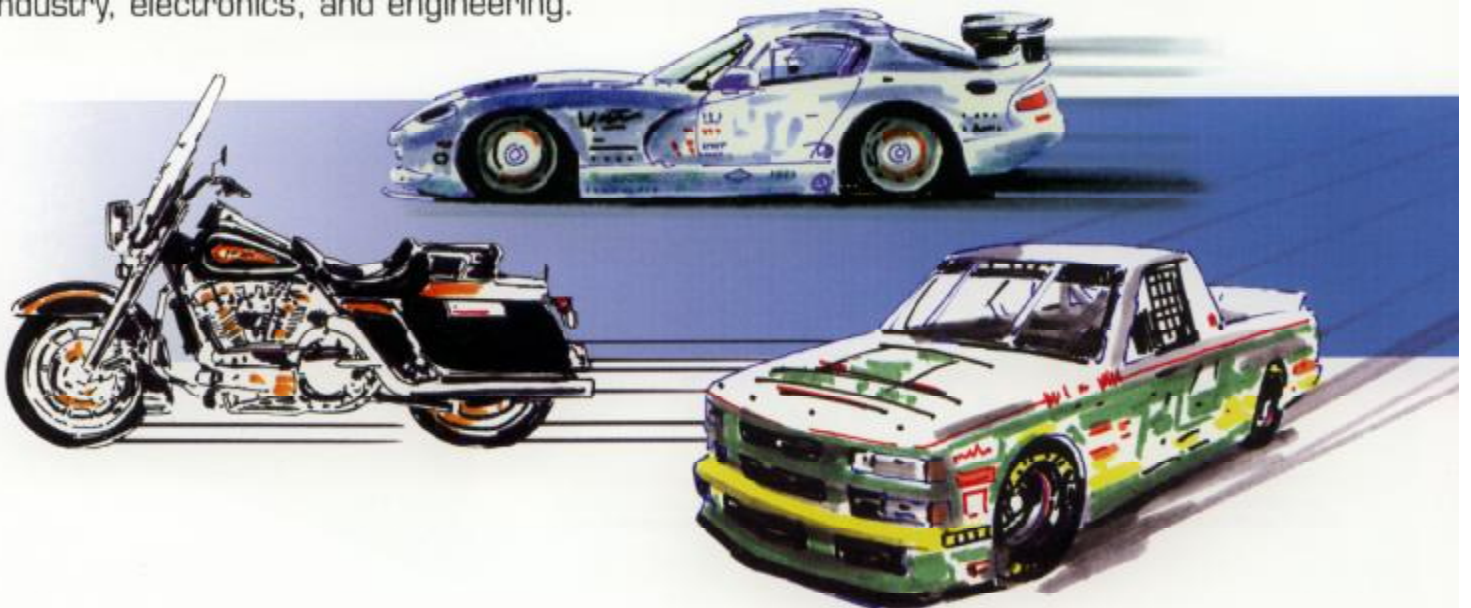


World Leader in High Performance Oil Cooling



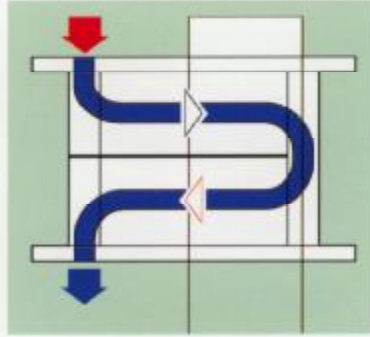
Setrab has provided high performance oil coolers since the late 1970's. The Setrab head office and production facilities are situated in Malmo, Sweden, in addition to wholly owned subsidiaries in the United States, United Kingdom, and Germany.

The choice of top teams and builders, Setrab Oil Coolers contribute to the winning formula of more championship race teams across all venues of motorsports than any other manufacturer. Experience gathered at the track has translated into high quality products for such notable OEM marques as Ferrari, Rolls-Royce, Lotus, Audi, and Harley-Davidson. The expertise gained from these collaborative efforts has resulted in the availability of the same high standards across the broadest range of the performance market. In addition to high performance applications, Setrab Oil Coolers are often used in specialized markets such as agriculture, construction, transport, energy supply, processing industry, electronics, and engineering.





THE SETRAB ADVANTAGE



Multi-Pass Coolers

Multi-pass coolers demonstrate our ability to produce specialized coolers for specific needs. The multi-pass configuration in our high performance cooler insures exposure of fluid to the maximum surface area of the cooler.



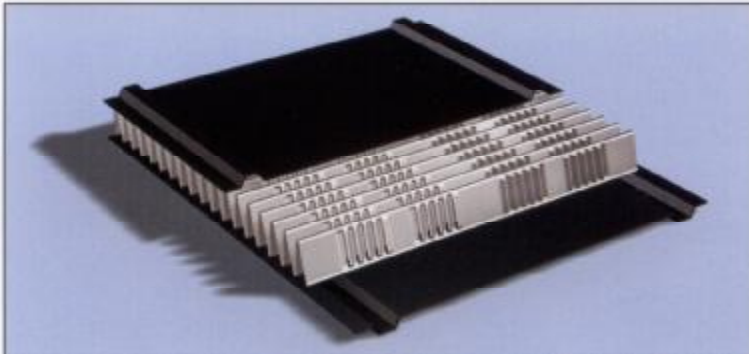
Internal Turbulators

Specialized in-line turbulators increase performance by gently directing the oil's flow path to expose it to the maximum internal surface area of the cooler. The in-line design of these turbulators offer superior performance with very low oil pressure restriction across the cooler.



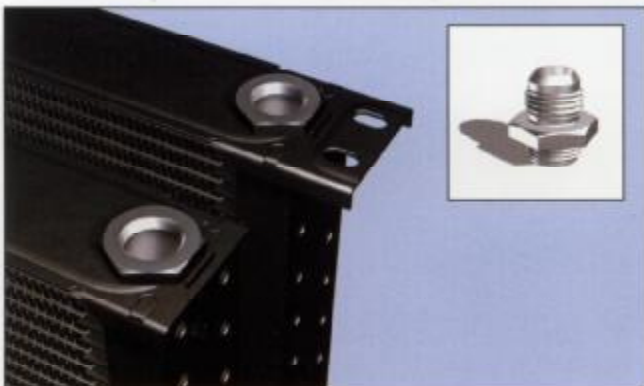
Bonding Process

Our oil coolers are brazed as complete units in computerized furnaces. The effect of such a technique insures an internal and external surface area that is free of any barrier to heat transfer. Each cooler is then tested to withstand appropriate pressures, vibrations, and pulsation. Here quality has top priority and this highly specialized process results in unmatched durability and performance.



External Air Fins

Concentrated mini-louvered air fins deliver maximum heat transfer. Heat will dissipate more rapidly from sharp edges and the design of these fins guarantees superior performance potential.



Adapter System Fittings

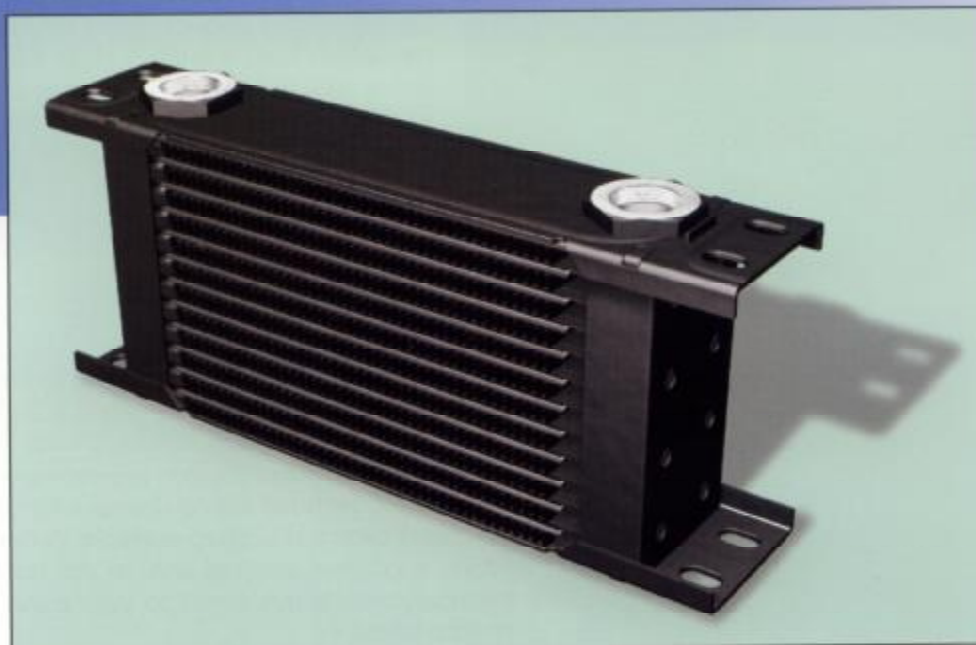
Setrab Pro-line Oil Coolers are manufactured with specialized low-profile female ports. These ports are converted to AN4, AN6, AN8, AN10, or AN12 fittings appropriate for each application with the use of Setrab adapters. These adapters are produced of the same material used by hose fitting manufacturers, assuring a clean, hard external sealing surface. A Seated O-ring base provides a positive internal seal to the cooler. Each fitting is internally radius machined to insure the best oil flow characteristics.



STD Standard Coolers

The Setrab STD oil cooler design is based on shallow aluminum dish plates brazed together to form tubes with internal in-line turbulators and external mini-louvered air fins. The STD is offered in the broadest range of sizes of any other high performance oil cooler available. This means there is a Setrab STD available for your most demanding application. STD coolers are designed for maximum working pressures to 150 psi.

Lightweight, high performance, low pressure-drop, and durability have united in the STD to create the most demanded cooler by top teams and builders worldwide. The STD cooler is provided with specialized female ports to allow the use of high quality Setrab AN adapters in sizes appropriate to the application.





T.O.C. Tube Oil Coolers

The tube oil cooler is made entirely of aluminum for the lowest possible weight, while its tubular design is remarkably rugged. The T.O.C. plumbs in series with the vehicle's radiator for simple yet highly effective performance in any environment.

FP Fanpacks

If the dynamics of your application include low vehicle speeds or restricted air flow the compact Setrab Fanpack is the high performance solution. Don't let their compact size fool you, only the best components are utilized in the production of these over achievers.

COM Coolers

The Setrab COM oil cooler is designed with long oval tubes with internal in-line turbulators and high heat transfer mini-louvered air fins. Then brazed between extruded end tanks to create a very durable high performance oil cooler. The COM cooler is designed for working pressures to 300 psi.



Winning Formula Applications

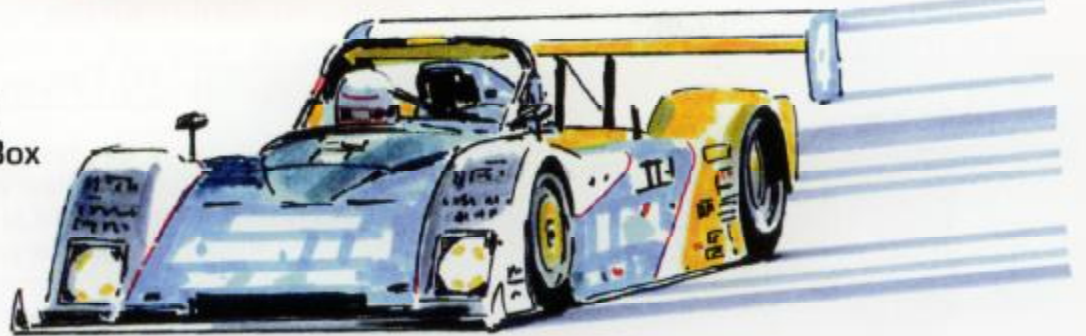
STD-634 Engine Oil
TOC-150 Gear Box



STD-925 Engine Oil
STD-619-2P Diff



LOC-100 Engine Oil
STD-619-2P Gear Box



STD-172 Engine Oil
STD-920-2P Diff
STD-113 Valve Spring



STD-920-2P-Fan Pack Engine Oil

Sizing Application Information

The chart to the right shows the complete dimensions and range of coolers.

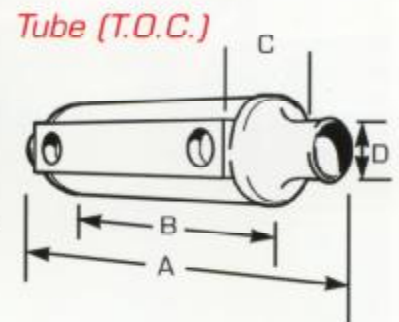
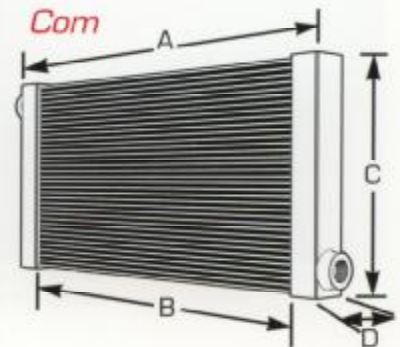
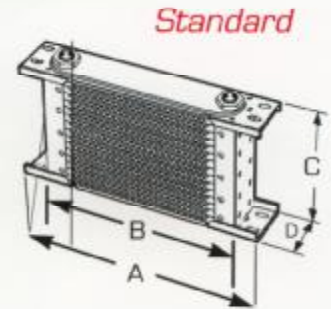
All are available for immediate delivery.

All coolers are equipped with special M22 low profile female fittings. These fittings are converted to AN fittings appropriate for each application.



Adapters available!
AN4, AN6, AN8,
AN10, AN12

PART NUMBER	DIMENSIONS			
	A	B	C	D
STANDARD COOLERS				
107	8-1/4	6-1/2	2	2
110	8-1/4	6-1/2	3	2
113	8-1/4	6-1/2	4	2
119	8-1/4	6-1/2	5-3/4	2
125	8-1/4	6-1/2	7-1/2	2
150	8-1/4	6-1/2	15-1/4	2
172	8-1/4	6-1/2	22-1/2	2
272	9	7-1/4	22-1/2	2
607	13	11-1/4	2	2
610	13	11-1/4	3	2
613	13	11-1/4	4	2
616	13	11-1/4	4-3/4	2
619	13	11-1/4	5-3/4	2
625	13	11-1/4	7-1/2	2
634	13	11-1/4	10-1/4	2
640	13	11-1/4	12	2
650	13	11-1/4	15-1/4	2
910	16	14-1/2	3	2
915	16	14-1/2	4-1/2	2
920	16	14-1/2	6	2
925	16	14-1/2	7-1/2	2
COM COOLERS				
500-15	23-1/2	19-1/2	5-3/4	2-1/4
FAN PACKS				
119 FP	8-1/4	6-1/2	5-3/4	6
920 FP	16	15	6	6
119 fan only	6	-	6	4
TUBE COOLERS				
TOC-150	9-3/4	5-3/4	3	1-1/2
TOC-200	11-3/4	7-3/4	3	1-1/2
TOC-300	15-3/4	11-3/4	3	1-1/2



Setrab
Oil Coolers

Setrab

Oil Coolers



SETRAB U.S.A. INC.
P.O. BOX H • 24 S. CLAYTON
CENTERBURG, OH 43011
740-625-6228 • fax: 740-625-6113

A SUBSIDIARY OF SETRAB A.B. MALMO, SWEDEN

Setrab AB, Box 60016, S-216 10 Malmo, Sweden
Tel +46 (0)40 15 80 60 • Fax +46 (0)40 15 52 87 • e-mail: info@setrab.se • <http://www.setrab.com>

Setrab GmbH
Postbox 968
Buchenweg 3
D-92538 Geretsried
Germany
Tel: 08171 93230
Fax: 08171 51084

Setrab Verkaufsburo
Husumer Straesse 47
D-25746 Hoids
Germany
Tel: 0481 77605
Fax: 0481 77606

Setrab (UK) Ltd
Bradfield Close,
Finedon Road Industrial Estate
Wellingborough
Northants NN84PG
United Kingdom
Tel: 01933 222747
Fax: 01933 272041

Setrab USA Inc.
P.O. Box H
24 S. Clayton
Centerburg, Ohio 43011
USA
Tel: 740 625 6710
Fax: 740 625 6113

